

Contribution to the growth of developing countries by "High Quality Infrastructure" investment

"질 높은 인프라" 투자에 의한 해외 지원

We support the construction of international road network as a "High Quality Infrastructure" in the developing countries.

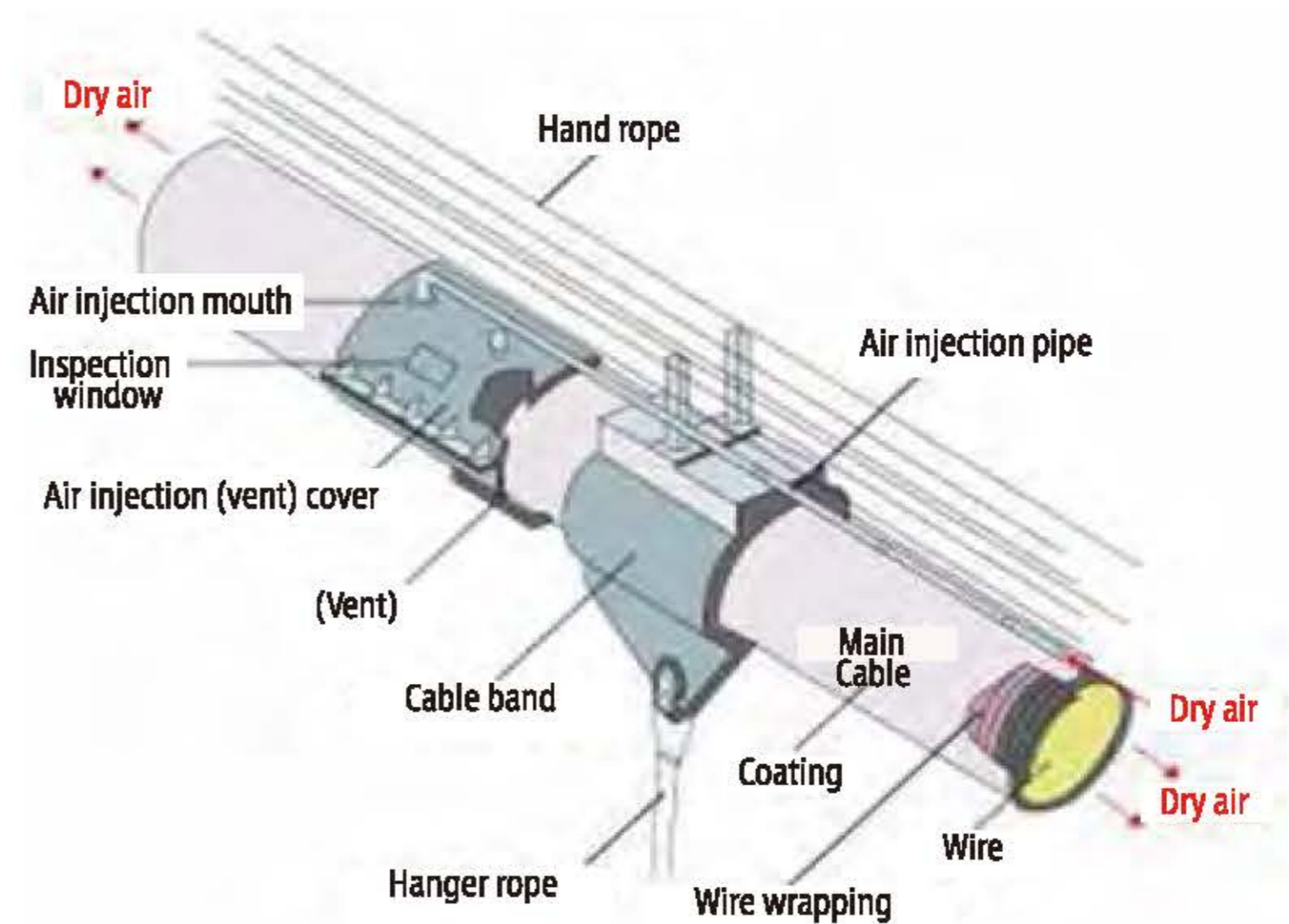
● What is high quality infrastructure?

"High Quality Infrastructure" has excellent total cost benefit performance brought by our experience, technology and systems. It can contribute to the economic growth and realizing welfare of developing countries. Furthermore, Japanese government supports the building of the systems that ensure good construction quality and safety, and foster technical expert who take the responsibility for sustainable infrastructure operation and maintenance.



[Corrosion Control System of the Second Bosphorus Bridge]

The Bridge was constructed in 1988 using Japan's yen credit. It is a suspension bridge with a length of 1,510 meters. Major repair was implemented in 2013 after 25 years of construction. Corrosion control system (dry air injection system) was installed in the main cable and anchorage. This system is expected to reduce life-cycle maintenance cost of the bridge.



Corrosion Control System (Dry Air Injection System) for Main Cables

● Technical support through joint research

Japan promotes joint research on standardized technical standards for international corridors in the ASEAN region about pavement and restricting overloaded heavy goods vehicles based on Japanese technology. This research contributes to the construction of high quality road network that can endure heavy traffic caused by interregional logistics.



Heavy Goods Vehicle and pavement damage in Laos



GMS Economic Corridor (Greater Mekong Sub-region)

● Support for bridge construction

Connecting high quality interregional logistic networks to improve accessibility among regions through Japanese qualified construction technology such as long-span bridge.



Neak Loeung Bridge (Cambodia)

· Main girder length: 640m · Approach bridge: 1,575m
· Approach road: 3,245m (Total length: 5,460m) · Inaugurated in April 2015 · Efficient construction by prefabrication of reinforcement assembly while securing high quality



Nhật Tân Bridge (Vietnam)

· Bridge length: 3.9km · Approach road length: 5.9km
· Inaugurated in January 2015 · Adopting "Steelpipe Sheetpile Well Foundation" to adapt soft ground contributing reduction of environmental burden and improvement of economic efficiency